



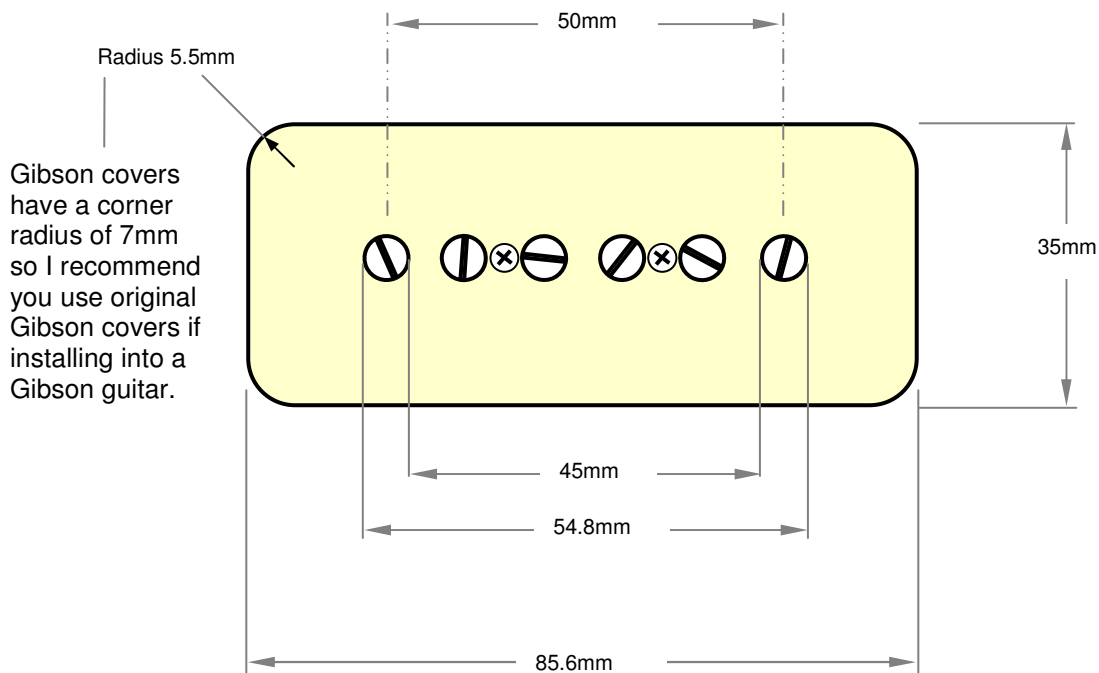
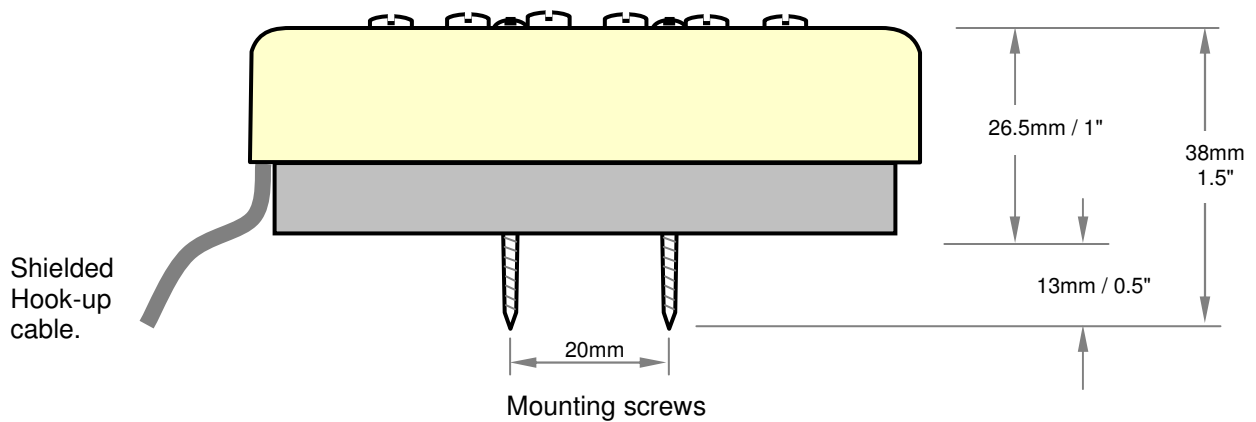
Revolutionary Zero-Hum replacement Pickups and Harness

Dimensions and cavity details for Kinman P-90 Hx pickup (approximately to scale)

Page 1 of 3

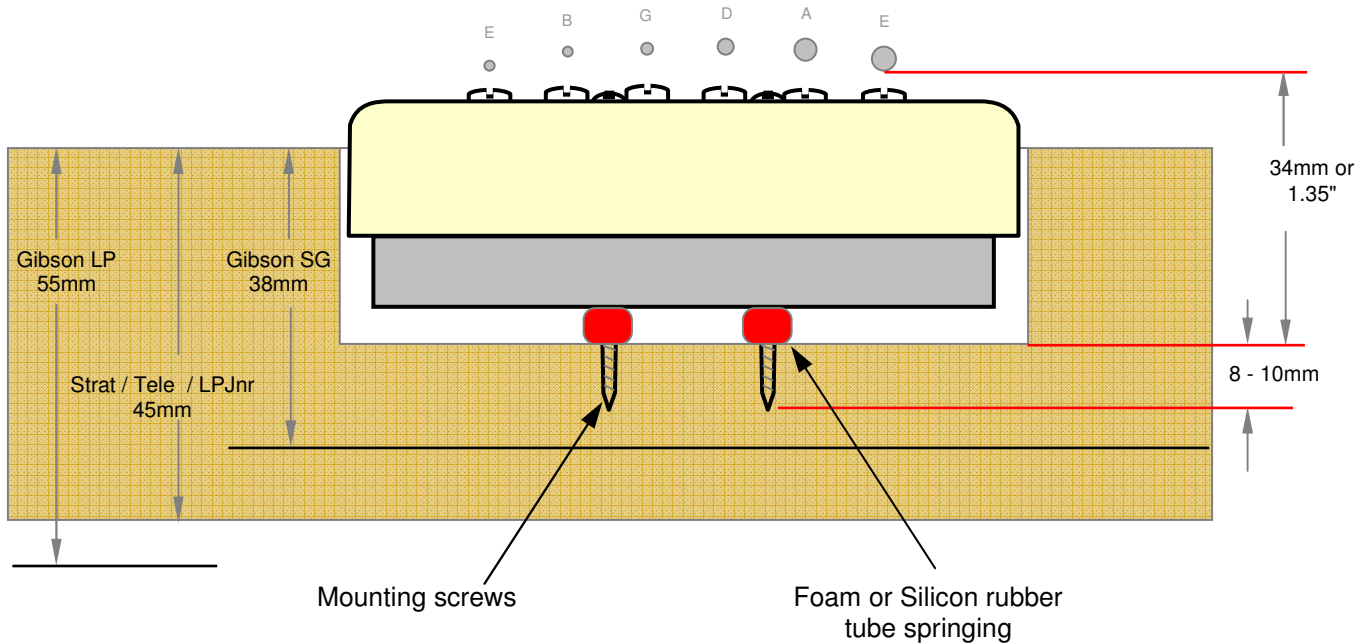
6-Sept-08 (Rev-2)

NOTE: The Hx-90 is almost as deep as a Gibson P-100 pickup (stacked P-90) and will fit easily into guitars fitted with a P-100. Some other guitars may require the cavity to be deepened (see Page 2).



Pickup cavity depth requirements for solid body guitars:

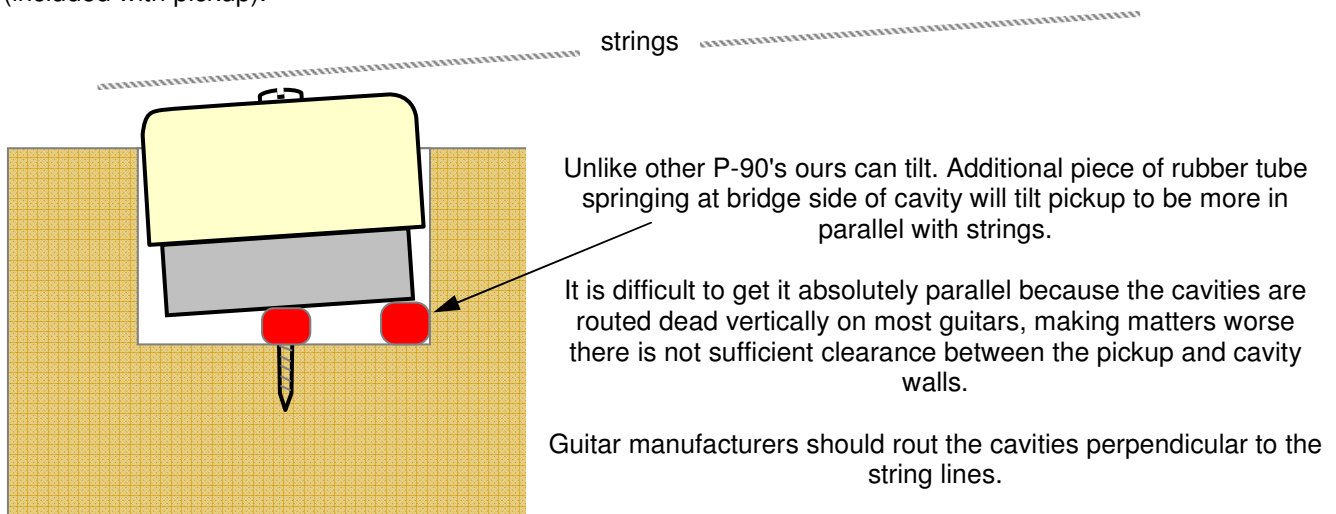
To provide sufficient adjustment ideally there should be 34mm (or 1.35" which is just over 1-1/4") between the bottom of the strings and the bottom of the cavity (measured in the middle of the cavity under the low E string).



NOTE: To avoid drilling mounting screw holes out the back of the guitar be mindful the screws penetrate into the wood between 8 and 10 mm on most guitars.

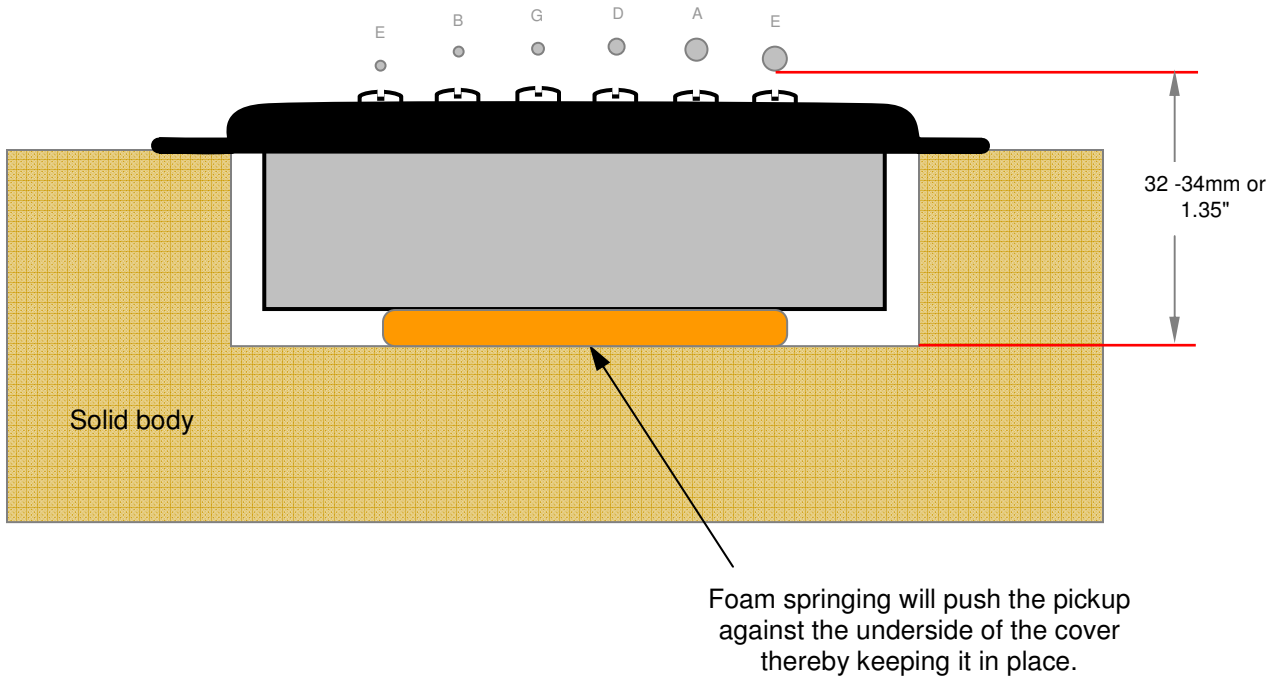
Thin body guitars like the Gibson SG are only 38mm (1.5") thick so the tips of the screws will come to within 5mm of the back of the guitar. Be careful when drilling the holes, use a depth guide on the drill bit.

Gibson P-100 routs require Silicon Rubber tubes 13mm long for neck pickup and 7mm long for bridge pickup (included with pickup).



Mounting under an existing Dog Ear cover. (Dog Ear covers are not supplied by Kinman)

Solid body guitars.



Hollow body guitars. Use a bracket under the pickup to mount in hollow body arch top guitars.

