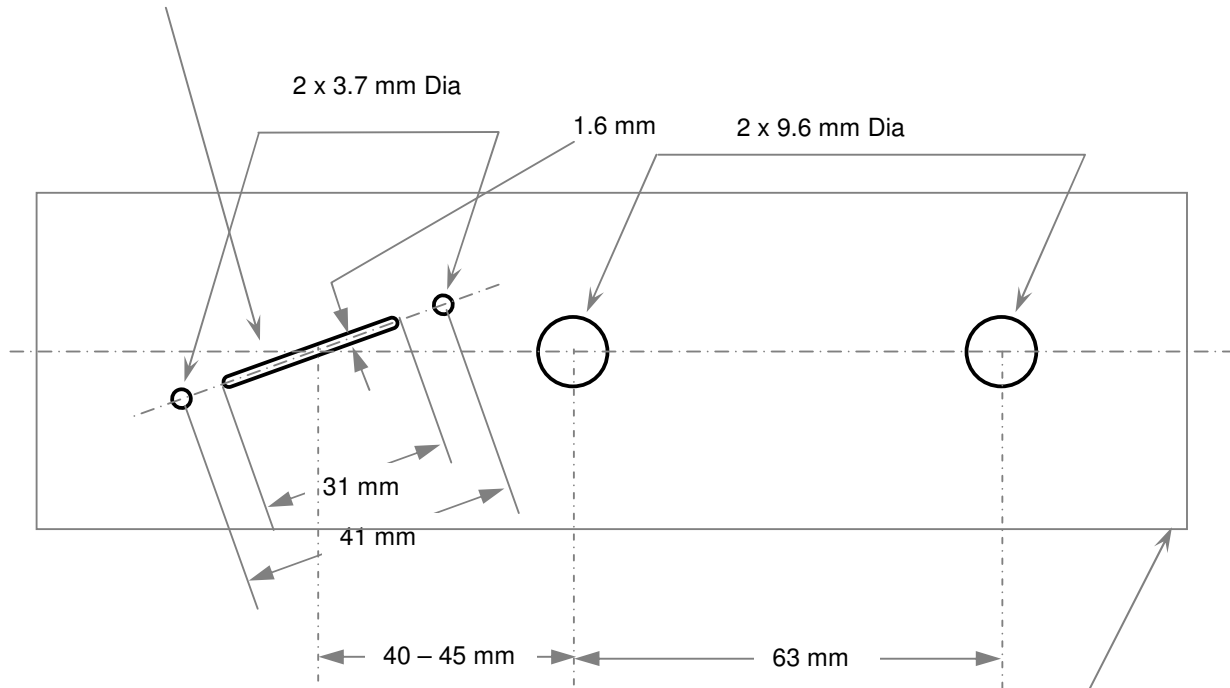


Control positions for custom pickguard to suit Tele Thinline model:

Courtesy of Chris Kinman (www.kinman.com)
9-Dec-08

Not to Scale

Switch angled at 19 degrees to centerline of controls.



Approximate size for Aluminum foil stuck to underside of pickguard, necessary for shielding of the controls.